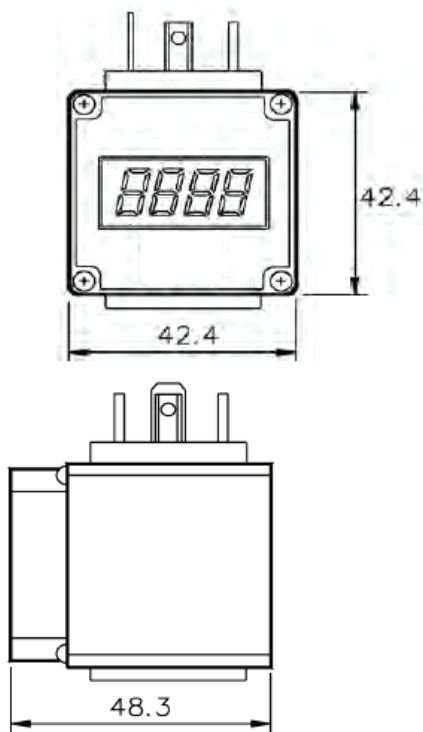


INFORMAÇÕES DO PRODUTO

Modelo: 6020

DIMENSIONS (in mm)



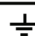
PROGRAMMING

To setup display:
Remove 4 screws and front cover
to access programming buttons



Indicador Local

ELECTRICAL CONNECTIONS

Pin No.	
1	+supply
2	4-20mA signal
3	not connected
	Connected through to transducer plug

TRANSMISSOR DE PRESSÃO
COM INDICADOR SANDUÍCHE



SPECIFICATION

DISPLAY:

4 digit red LED display, 7mm digit height.

DISPLAY OUTPUT RANGE:

-999 to 9999

INPUT SIGNAL:

4-20mA, 2 wire current loop.

DISPLAY CALIBRATION:

Factory set to display 4.00 to 20.00 for 4-20mA input.

ACCURACY:

0.2% of full-scale input +/- 1 digit

POWER SUPPLY VOLTAGE:

Requires 5 V or less from loop supply.

ALLOWED LOOP CURRENT:

Maximum 60mA. Above this automatic circuit protection is activated.

DISPLAY SAMPLING RATE:

300mS to 25.5 S, adjustable filter setting from menu.

OPEN DRAIN SWITCH OUTPUT:

Model number PM1001 only: P type MOSFET switch. Maximum current source: 90mA, with automatic circuit protection.

PROGRAMMING:

Via two press buttons, menu assisted. Access to the programming buttons is made by removing front cover.

MENU SELECTION:

Zero adjustment: -999 to 9999

Span adjustment: 0 to 9999

Decimal point: 3 positions or off

Filter: 0.3 to 25.5 second

Over-range: On/Off

Setpoint: -999 to 9999

Setpoint direction: Up/Down

Settings stored in Non-volatile EEPROM

ERROR MESSAGES:

When over-range option is selected:

'HI' is displayed when input is above 20mA 'LO'

is displayed when input is less than 4mA

when over-range option is off:

'ErC6' is displayed when range -999 to 9999 is exceeded.

TEMPERATURE RANGE:

Operating: - 10°C to + 60°C

Storage: - 30°C to + 80°C

CASE MATERIAL:

Moulded ABS plastic, Red Acrylic display window, Nitrile seal.

INGRESS PROTECTION TYPE:

Splash-proof, enclosure sealed to IP65

ELECTRICAL CONNECTION:

Plugs directly onto transmitters with 4-20 mA output and right-angle DIN 43650 (3-pin +earth) connector plug.